

PRODUCT INFORMATION



INSPIRED BY
EFFICIENCY



MEX (55) 53 63 23 31 MTY (81) 83 54 10 18
QRO (442) 1 95 72 60 ventas@industrialmagza.com



INTERROLL BELT CURVES

FOR CHANGING PRODUCT DIRECTION
AND ZERO OR SMALL INNER RADIUS 180° CURVES



Higher throughput

Increase your system's throughput by eliminating a chain or belt transfer. These products allow continuous material flow without waiting for a transfer to cycle.

Saves valuable floor space

With zero or small inner radius, parallel conveyors are able to be placed next to one another.

Under 68 dBa...

Interroll's unique design results in a conveyor that is nearly silent in operation.

Technical Data

General technical data

Max. load capacity	35 lb/ft (50 kg/m)
Minimum top of belt height	13.75" (350mm)
Maximum speed	400 ft/min (2 m/s)

Drive

Available voltages	115-230V/1PH/60HZ 230-460V/3PH/60HZ
Motor type	Parallel shaft gear motor (4096) Shaft-mounted gear motor (4096R)
Drive type	Proportional friction wheel drive
Diameter end rollers	3.15" (80mm) cylindrical

Materials

Conveyor belt	Endless two-ply polyester fabric with polyurethane cover and polyurethane tracking bead at perimeter
Slider bed	Carbon steel
Support legs	Structural steel

Side frame

Side frame	Aluminum extrusion, 6.25" (160mm) high
Side guide	Aluminum extrusion or fabricated steel



No lubrication required

The belt is tracked using a bead and bearing arrangement so nothing needs to be lubricated.

Cylindrical end rollers allow an even gap

Interroll's BM 4099 is the only curve on the market using cylindrical end rollers. This means there is not a large gap to fill between the end rollers of the curve and adjacent conveyors.

Technical Data

General technical data

Max. load capacity	35 lb/ft (50 kg/m)
Minimum top of belt height	13.75" (350mm)
Maximum speed	400 ft/min (2 m/s)

Drive

Available voltages	115-230V/1PH/60HZ 230-460V/3PH/60HZ
Motor type	Shaft-mounted gear motor
Drive type	Proportional friction wheel drive
Diameter end rollers	3.15" (80mm) cylindrical

Materials

Conveyor belt	Endless two-ply polyester fabric with polyurethane cover and polyurethane tracking bead at perimeter
Slider bed	Carbon steel
Support legs	Structural steel

Side frame

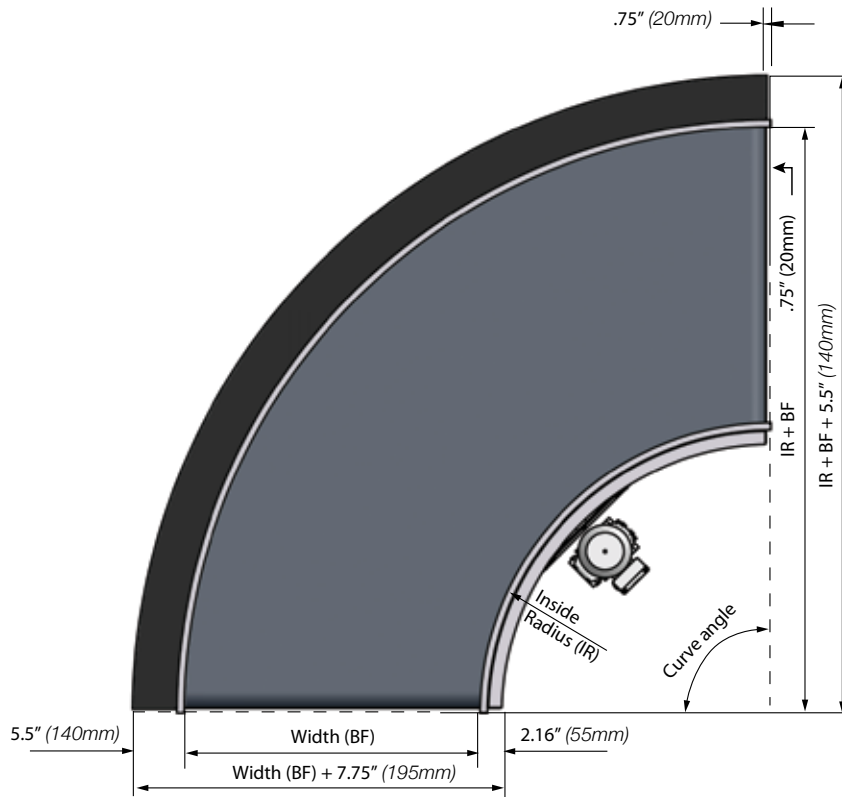
Side frame	Aluminum extrusion, 7" (180mm) high
Side guide	Aluminum extrusion or fabricated steel

The BM 4099 is used to convey parcels, packages and soft goods such as polybags when a direction change is required.



INDUSTRIAL MAGZA MEX (55) 53 63 23 31 MTY (81) 83 54 10 18
 DIST. AUTORIZADO QRO (442) 1 95 72 60 ventas@industrialmagza.com

Dimension:

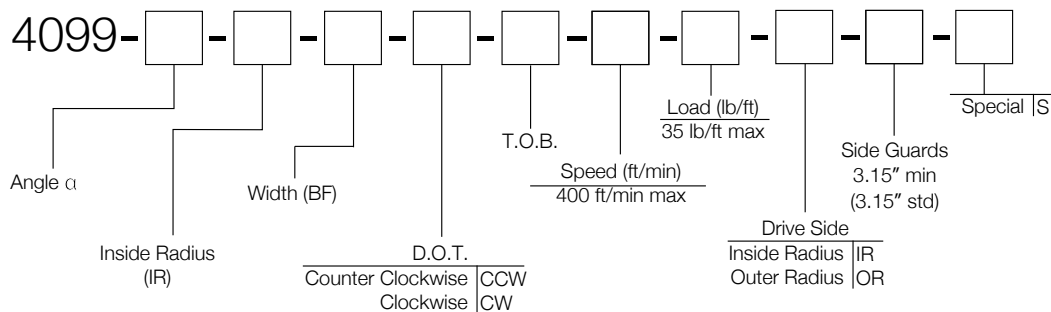


Dimensions Belt Curve BM 4099

Available curve angles	30°, 45°, 60°, 90°, 135°, 180°
Inside Radii available	24" to 98" (600 - 2500mm)
Width (BF) available	12" to 61.5" (300 - 1562mm)

How to order

Please create a reference number with the following configurator.



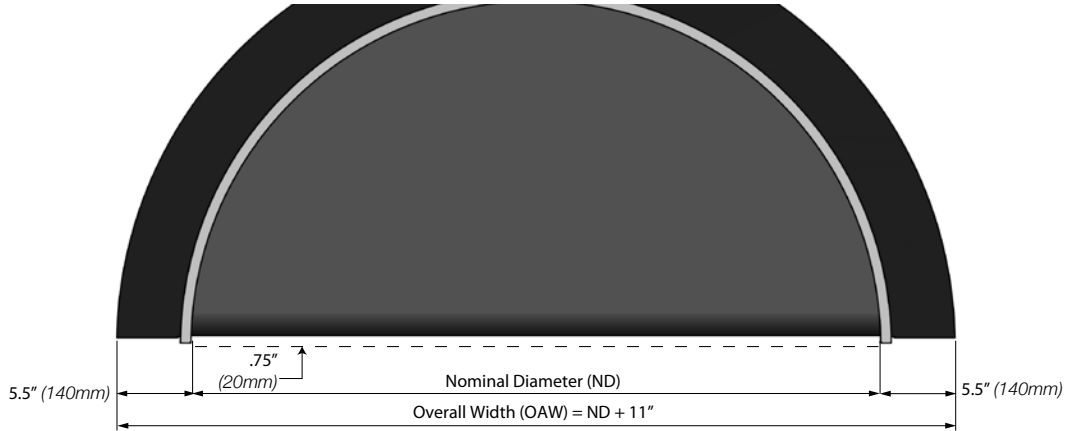
The BM 4096 and BM 4096R are for continuous transfer between parallel lines and 180° change in direction.



Dimension:

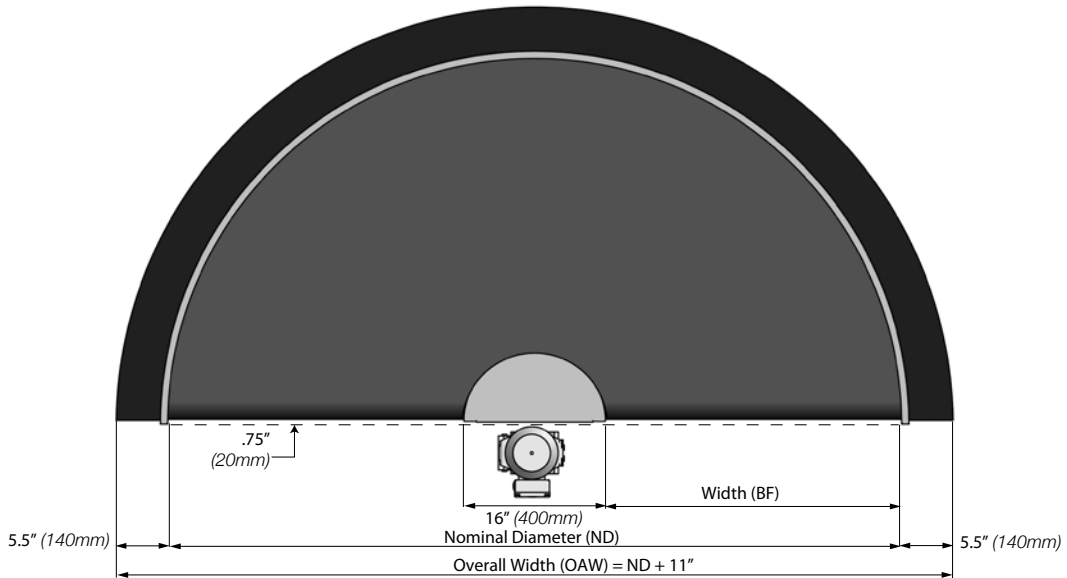


MEX (55) 53 63 23 31 MTY (81) 83 54 10 18
 QRO (442) 1 95 72 60 ventas@industrialmagza.com



Dimensions Belt Curve BM 4096

Nominal diameter	31.5" - 55" (800mm - 1400mm)
Overall width	Max. 66" (1676mm)

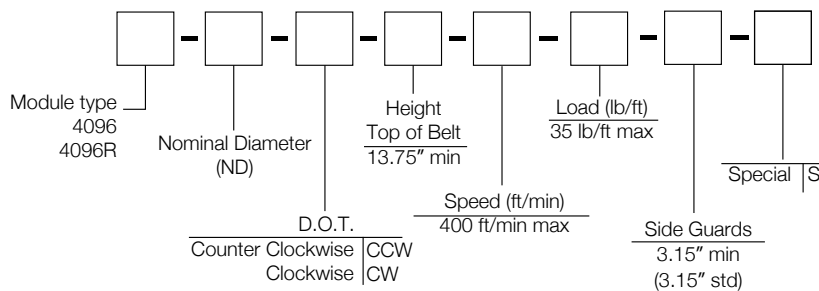


Dimensions Belt Curve BM 4096R

Inside diameter (to side guards)	16" (400mm)
Nominal diameter	51" - 157" (1300mm - 4000mm)
Overall width	Max. 168" (4267mm)

How to order

Please create the reference number with the following configurator.





MEX (55) 53 63 23 31 MTY (81) 83 54 10 18
QRO (442) 1 95 72 60 ventas@industrialmagza.com



Interroll is the most global provider of core products for material handling solutions. Headquartered in Sant'Antonino Switzerland, Interroll is present in more than 30 countries.

Additional sales contacts and addresses are available by visiting www.interroll.com

USA Manufacturing Center

Interroll Automation, LLC
5035 Keystone Boulevard
Jeffersonville, IN 47130
Toll free: 800-492-3251
us.automation@interroll.com

Interroll reserves the right to modify the technical characteristics of all its products at any time.

Technical information, dimensions, data and characteristics are provided for reference only.

All products designed and manufactured in the United States of America.